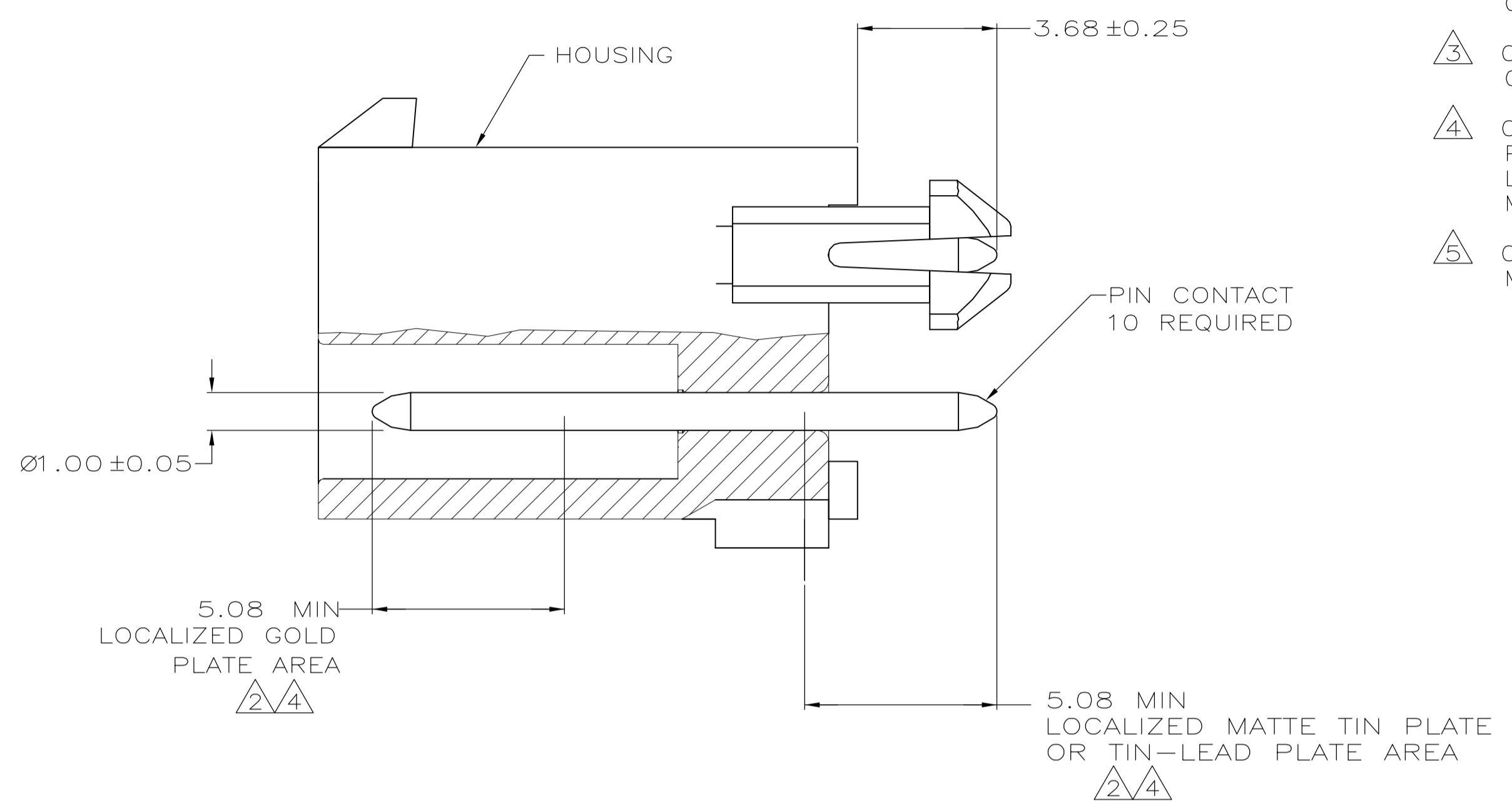
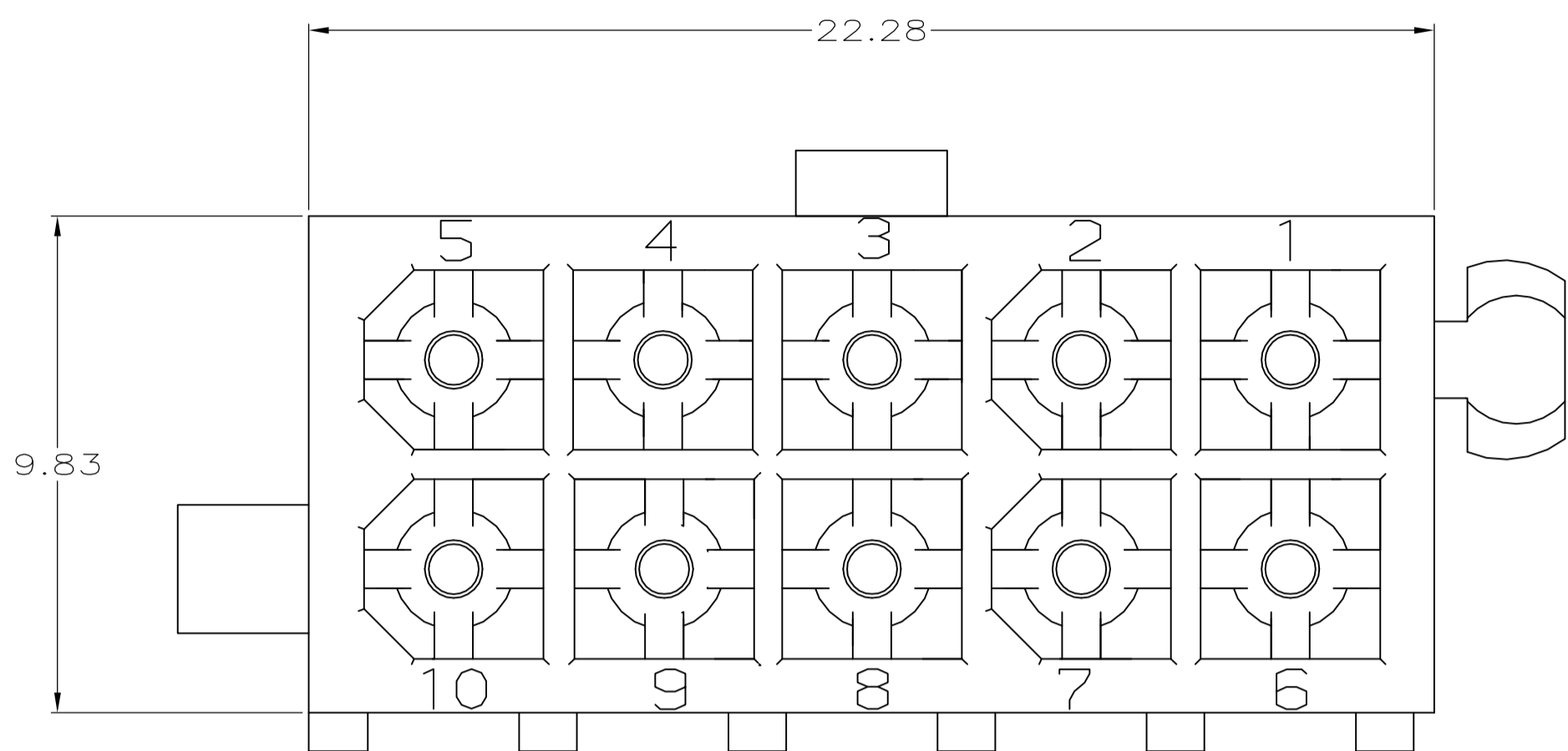
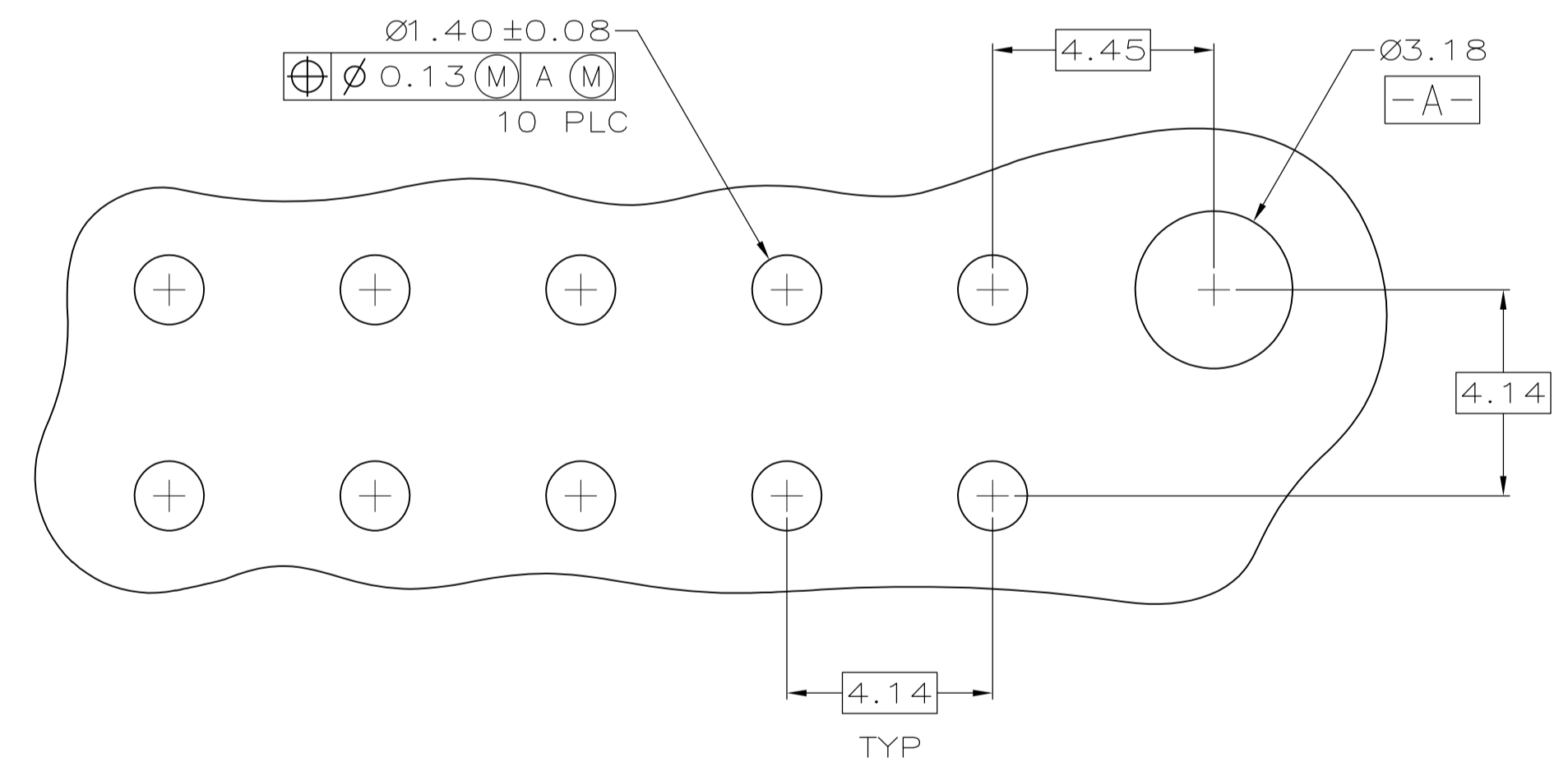
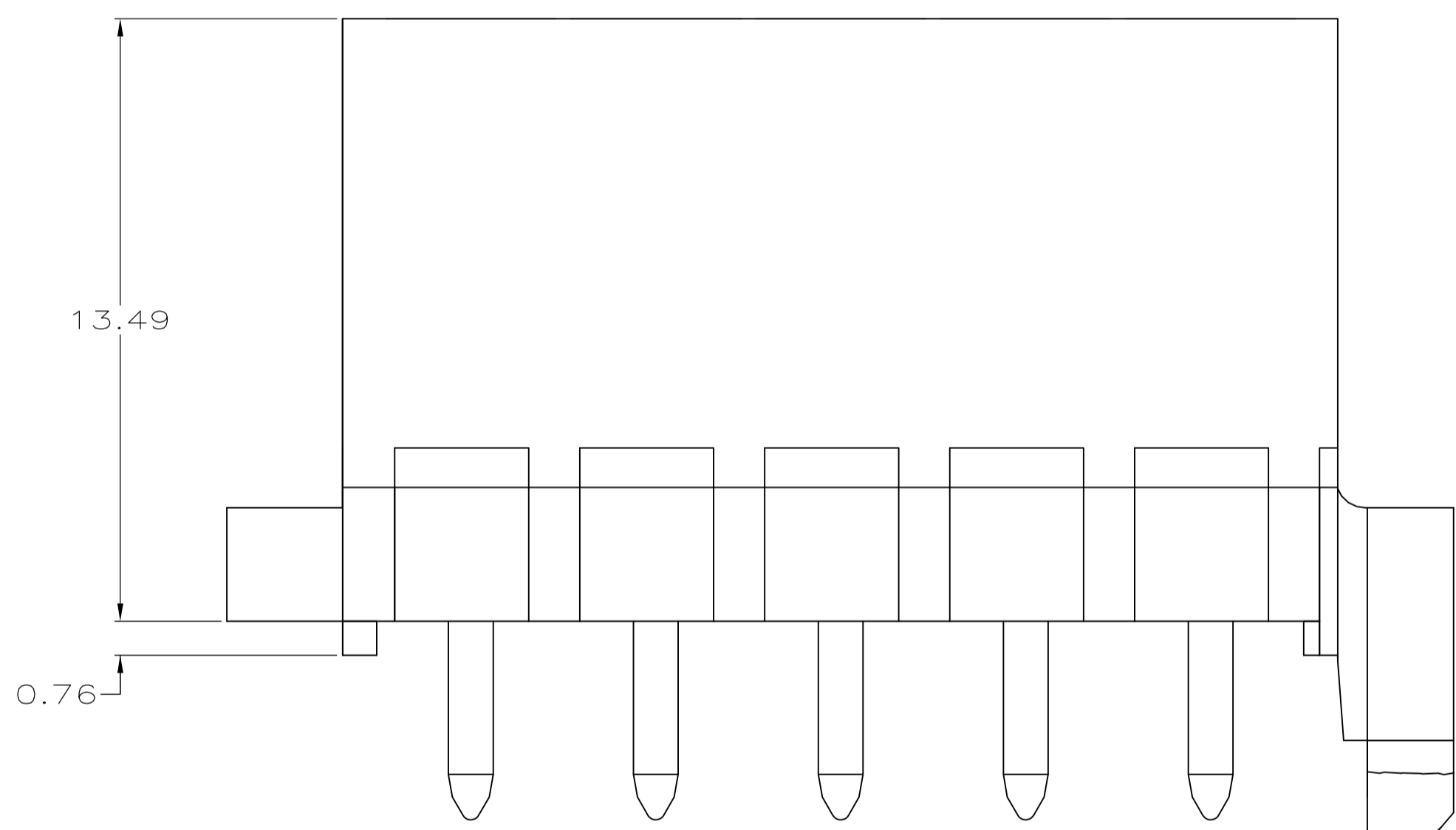


LOC		DIST		REVISIONS			
CM	0	P	LTR	DESCRIPTION	DATE	DMN	APVD
		H		REVISED PER ECR-15-010337	23JUL2015	RK	SC



- PINS TO COMPLY WITH AMP SOLDERABILITY SPEC 109-11-3.
- 0.00076 MIN GOLD PLATE IN THE LOCALIZED PLATE AREA, 0.00381 MATTE TIN LEAD IN THE LOCALIZED PLATE AREA, BOTH OVER 0.00127 MIN NICKEL.
- 0.00381 MIN MATTE TIN LEAD PLATE OVER 0.00127 MIN NICKEL.
- 0.00076 MIN GOLD PLATE IN THE LOCALIZED PLATE AREA, 0.00381 MATTE TIN IN THE LOCALIZED PLATE AREA, BOTH OVER 0.00127 MIN NICKEL.
- 0.00381 MIN MATTE TIN PLATE OVER 0.00127 MIN NICKEL.



RECOMMENDED MOUNTING HOLE PATTERN FOR 1.57 THICK P.C. BOARD

BRASS, GOLD	NYLON, 94V-0, WHITE	1-770858-1
BRASS, TIN	NYLON, 94V-0, WHITE	1-770858-0
BRASS, GOLD	NYLON, 94V-0, WHITE	770858-2
BRASS, TIN LEAD	NYLON, 94V-0, WHITE	770858-1
PIN CONTACT MATERIAL AND FINISH	HOUSING MATERIAL AND COLOR	PART NO.

THIS DRAWING IS A CONTROLLED DOCUMENT.

DIMENSIONS: mm	TOLERANCES UNLESS OTHERWISE SPECIFIED:	DIN 8-2-91	C. MARTIN
0 PLC ± -	1 PLC ± -	2 PLC ± -	3 PLC ± 0.13
4 PLC ± -	ANGLES ± -		
MATERIAL SEE TABLE	FINISH SEE TABLE	WEIGHT -	SIZE A1
CUSTOMER DRAWING		SCALE 8:1	SHEET 1 OF 1

STE TE Connectivity

NAME: HEADER ASSEMBLY, CLOSED BOTTOM, 10 CIRCUIT, DOUBLE ROW VERTICAL, MINI UNIVERSAL MATE-N-LOK

SIZE: A1, CAGE CODE: 00779, DRAWING NO: 770858